



# PALLMANN

## Translation of the original manual

Parquet edge sander GECKO FLEX, (USA 115V)

#061695

Parquet edge sander GECKO FLEX, (UK 230V)

#061693

Parquet edge sander GECKO FLEX, (UK 115V)

#061694



**CE** Art. No.061814

©  2010

All rights reserved.

Reprinting or copying, even of excerpts, requires written confirmation from  
Hermann FRANK GmbH & Co. KG, 71665 Vaihingen/Enz, Germany.

We do not accept any liability for damage caused by following this operating manual.  
Subject to change.

Hermann FRANK GmbH & Co. KG  
Planckstr .9  
71665 Vaihingen/Enz  
Deutschland  
Tel.: +49 (0)7042/289427-0  
Fax: +49 (0)7042/289427-11  
E-Mail: [info@hermannfrank.de](mailto:info@hermannfrank.de)  
[www.hermannfrank.de](http://www.hermannfrank.de)

Version: September 2010

---



## Contents

<b>1.</b>	<b>Introduction</b> .....	<b>Page</b> .....	<b>4</b>
1.1	Legend .....	Page .....	4
<b>2.</b>	<b>Scope of delivery</b> .....	<b>Page</b> .....	<b>5</b>
<b>3.</b>	<b>Description of the GECKO FLEX parquet edge sander</b> .....	<b>Page</b> .....	<b>6</b>
3.1	Main components .....	Page .....	6
3.2	Technical specifications .....	Page .....	7
3.3	Safety devices .....	Page .....	7
<b>4.</b>	<b>Intended use</b> .....	<b>Page</b> .....	<b>8</b>
<b>5.</b>	<b>Safety</b> .....	<b>Page</b> .....	<b>8</b>
5.1	General information .....	Page .....	8
5.2	Improper use .....	Page .....	8
5.3	Original parts and accessories .....	Page .....	8
5.4	Safety instructions for before and during operation .....	Page .....	8
5.5	Approved clothing .....	Page .....	9
5.6	Noise emissions from the tool .....	Page .....	9
5.7	Hand/arm vibration .....	Page .....	9
5.8	Safety instructions for handling dust .....	Page .....	10
<b>6.</b>	<b>Start-up</b> .....	<b>Page</b> .....	<b>11</b>
6.1	Fitting the hand grip .....	Page .....	11
<b>7.</b>	<b>Operation</b> .....	<b>Page</b> .....	<b>11</b>
7.1	Switching on and off .....	Page .....	11
7.2	Adjusting the cover .....	Page .....	12
7.3	Usage information .....	Page .....	12
<b>8.</b>	<b>Maintenance and care</b> .....	<b>Page</b> .....	<b>12</b>
8.1	Replacing the sanding disc .....	Page .....	13
8.2	Replacing the abrasive .....	Page .....	13
8.3	Replacing the brush .....	Page .....	13
<b>9.</b>	<b>Disposal</b> .....	<b>Page</b> .....	<b>14</b>
<b>10.</b>	<b>Warranty</b> .....	<b>Page</b> .....	<b>14</b>
<b>11.</b>	<b>EC Declaration of Conformity</b> .....	<b>Page</b> .....	<b>16</b>

## 1. Introduction

Dear customer,

You have chosen to purchase the GECKO FLEX parquet edge sander - the right decision for quality and performance.

This tool combines extraordinarily high performance and outstanding sanding quality with easy to operate, mature and reliable technology. This operating manual contains information which is important for the operation of the GECKO FLEX parquet edge sander.



### Caution!

**Please read this operating manual carefully and ensure that all users have read it before using the tool.**

**Following the safety instructions protects against hazards to life and limb and prevents the tool from being used in an improper manner.**

**Before using the tool, familiarise yourself with its operation.**

**Once you have started to use it, it is too late! Never allow a person who does not possess the necessary expertise to operate the tool.**

### 1.1 Legend

In this operating manual, the following symbols are used to denote important information on safety and damage prevention.



General hazard warning



Warning of hazardous electrical voltage



Warning of explosion



Wear hearing protectors



Wear lightweight safety mask

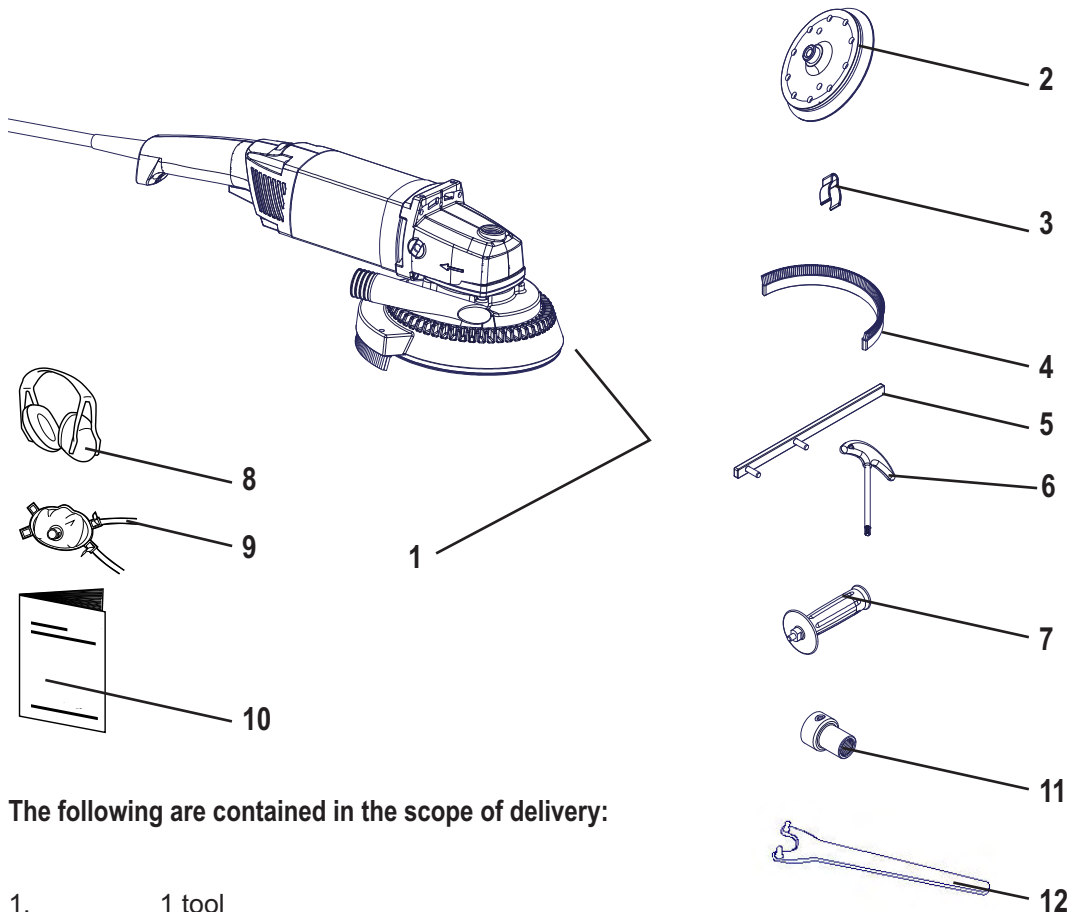


Read the manual/instructions



Hazardous waste

**2. Scope of delivery**



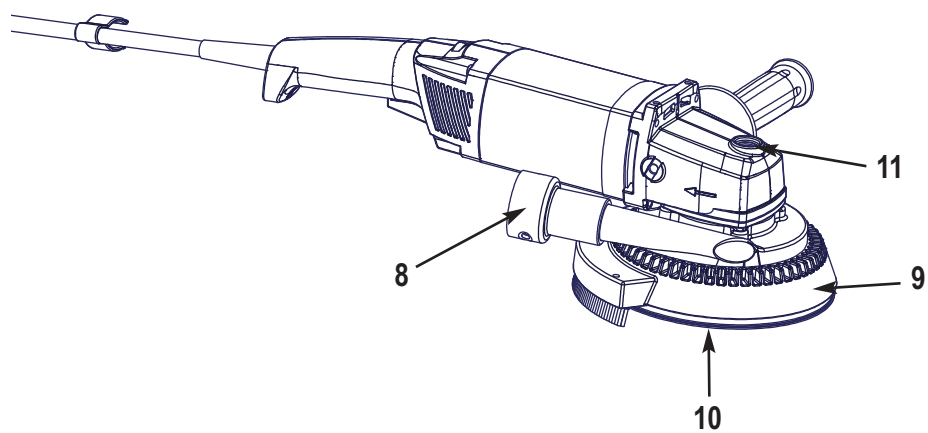
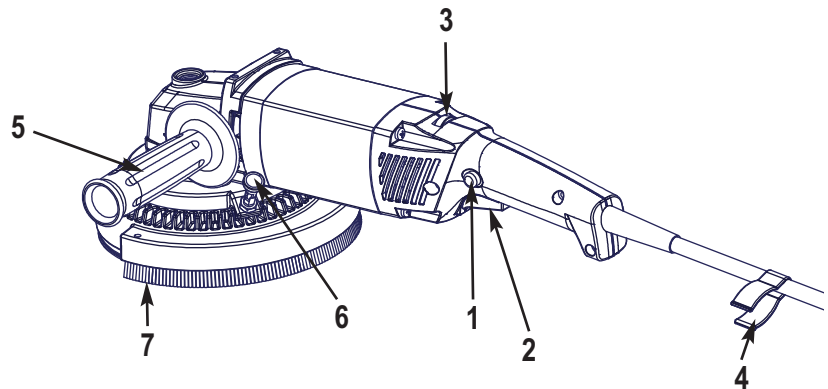
The following are contained in the scope of delivery:

- 1. 1 tool
- 2. 1 sanding plate with clamping disc and 1 sanding plate with velcro
- 3. 3 cable clips for suction hose
- 4. 1 spare brush
- 5. 1 face spanner
- 6. 1 torx spanner
- 7. 1 side hand grip
- 8. 1 set of hearing protectors
- 9. 1 safety mask
- 10. 1 operating manual
- 11. 1 adapter for PALLMANN DUST
- 12. 1 Two pin wrench



## 3. Description of the GECKO FLEX parquet edge sander

### 3.1 Main components



- 1 Switch lock
- 2 On/Off switch
- 3 Speed control
- 4 Hose clip
- 5 Side hand grip
- 6 Locking pin
- 7 Brush
- 8 Adapter for PALLMANN DUST
- 9 360° rotatable cover
- 10 Sanding plate
- 11 Spindle lock



## 3.2 Technical specifications

Supply voltage	.230V, 50Hz; 115V, 50Hz/60Hz
Power consumption	.1500 W
Speed	.1400-4200 rpm
Tool Ø	.180 mm
Drive spindle	.M14
Vacuum port	.28 mm
Weight	.4.5 kg

## 3.3 Safety devices

### Switch lock

It must only be possible to set the GECKO FLEX into operation by intentionally pressing the switch. To assist in this, the tool possesses a switch lock (1) which prevents it from starting up if there is only pressure on the On/Off switch (2).

### Restart protection

If the power supply is interrupted while the tool is running, e.g. by pulling out the mains plug, the electronic restart protection ensures that the GECKO FLEX does not start up by itself when the plug is put back in. In this case, the tool must be switched off and then back on again.

### Over-temperature shutdown

The over-temperature shutdown function protects the motor from overheating and associated damage. When a critical temperature is reached, the tool switches into cool-down mode, and the speed is reduced.



**Caution! Allow the tool to cool for approx. 3-5 minutes!**



### Tip:

**Allow the tool to run at maximum speed with no load, this provides better ventilation to the motor and reduces cool-down time.**

### Overload protection

If the current draw becomes too high due to extreme overloading, the tool switches off. It can be used again immediately after discharging; no cool-down phase is required.



## 4. Intended use

The GECKO FLEX parquet edge sander is suited exclusively to sanding wood floors, staircases and landings. Outdoor use is not permitted. Any other use is not permitted.

The manufacturer does not accept any liability for damage which occurs during improper use.

## 5. Safety

### 5.1 General information

Following safety instructions guards against injury and prevents improper use of the tool. All users of this tool and persons involved in its assembly, maintenance or repair must have read and understood the contents of this operating manual before beginning their work.

Particular attention should be paid to the sections featuring additional symbols.

### 5.2 Improper use

The GECKO FLEX is not suitable for brushing, polishing, roughing, abrasive cutting or any comparable purpose. Failure to adhere to this directive can cause serious personal injury and damage to property.

### 5.3 Original parts and accessories

Original parts and accessories have been especially designed for the GECKO FLEX. We would like explicitly point out that other parts may not be used in their place. To do so can negatively impact upon the safety of the tool.

This applies particularly to the tool's sanding disc. The manufacturer excludes all liability for damage occurring through the use of non-original parts.

### 5.4 Safety instructions for before and during operation

Before use, always check all parts of the tool for damage and wear. Parts which are placed under severe stress, such as the sanding plate, are particularly susceptible to breaking off and cracks. The damaged parts must be replaced immediately with new ones.



#### **Caution!**

**All parts which are subjected to excessive wear, such as sanding plates, brushes, etc. are not covered by any kind of warranty.**





During operation, never set tool down while the sanding plate is running. The GECKO FLEX may only be placed down when it has come to a total stop.



**Caution!**

**If you sand over the electrical cable, there is a danger to life through electric shock. Never sand towards the cable.**

## 5.5 Approved clothing



**Caution!**

**Wear suitable workwear! While operating and performing any work on the GECKO FLEX, do not wear loose clothing. Such clothing may be caught by moving parts.**

## 5.6 Noise emissions from the tool

The following emissions values have been measured for the GECKO FLEX parquet edge sander in accordance with EN 60745:

<b>Sound pressure level</b>	Idling	88.6 dB	Under load	86.4 dB
<b>Sound power level</b>	Idling	99.6 dB	Under load	97.4 dB
<b>Measuring inaccuracy:</b>	+ / -	1.5 dB		

The noise generated by using the tool is dependent on various factors.

Local conditions, such as the size of the room and the properties of the floor surface have an impact on noise emissions.



**Caution! ! Wear hearing protectors! The levels of noise generated are damaging to the hearing. While operating the tool, you must wear hearing protectors. Use the capsule hearing protectors which are supplied as an accessory.**

## 5.7 Hand/arm vibration

The following vibration levels have been measured, in accordance with EN 60745:

<b>Sanding plate with velcro</b>	<b>Vibration emissions value:</b>	$a_{h/DS}$	= 2,6 m/s <sup>2</sup>
	<b>Measuring inaccuracy:</b>	K	= 1,5 m/s <sup>2</sup>
<b>Sanding plate with clamping disc</b>	<b>Vibration emissions value:</b>	$a_{h/DS}$	= 4,9 m/s <sup>2</sup>
	<b>Measuring inaccuracy:</b>	K	= 1,5 m/s <sup>2</sup>

The declared vibration emission level represents the main applications of the tool. However if the tool is used for different applications, with different accessories or poorly maintained, the vibration emission may differ. This may significantly increase the exposure level over the total working period.



## 5.8 Safety instructions for handling dust



### Caution!

**Extremely fine sanding dust! Wear a safety mask! When sanding parquet and floorboards, always wear a safety mask. Use the safety mask which is supplied as an accessory.**

Using the tool as intended to sand a wood floor will naturally generate dust.

Wood dust, particularly if interspersed with waterproofing agent, solvent and coatings, can cause allergic reactions, depending on the operator's level of sensitisation. Beech and oak wood dust are classified as carcinogens (resulting in cancer of the nasal mucous membrane). Wood dust from other types of wood is suspected to have a carcinogenic effect.

The tool has a connection (Ø 28 mm) for an external vacuum cleaner, without which the tool should not be operated. Despite this provision, it is still not possible to prevent the creation of fine and very fine dust when using the tool.



### Tip:

**Related PALLMANN DUST vacuum cleaner, M # 060091. Suitable for vacuuming up harmful dust.**



### Caution! Risk of fire and explosion! No smoking!

**No sources of ignition may be present in the areas where sanding is taking place!**

**Ventilate the area properly!**

**When combined with an ignition source and the oxygen present in the air, wood dust can cause fires and explosions.**

Sanding metal parts, e.g. nails, can produce sparks which are blown into the dust container in the vacuum cleaner along with the wood dust.

There the glowing swarf can start a fire, even hours later.

Each time the tool is brought to a stop, and when the work is complete, the sanding dust inside the vacuum cleaner must be immediately disposed of in a fireproof, non-combustible container. The contained must be sealed with a fireproof, non-combustible lid. Only store the container in an outdoor location.



### Caution!

**When disposing of sanding dust, always wear a safety mask**



## 6. Start-up



### Caution!

**Danger to life from electric shock! Before start-up, check the power cable for damage! Never operate the tool with a damaged power cable.**



### Caution!

**Note the data on the type plate. Only use with the intended mains voltage or frequency.**

## 6.1 Fitting the hand grip

The hand grip (1), for installation on the side of the tool, can be screwed in on the left of the motor gearhead.



## 7. Operation

### 7.1 Switching on and off



### Caution!

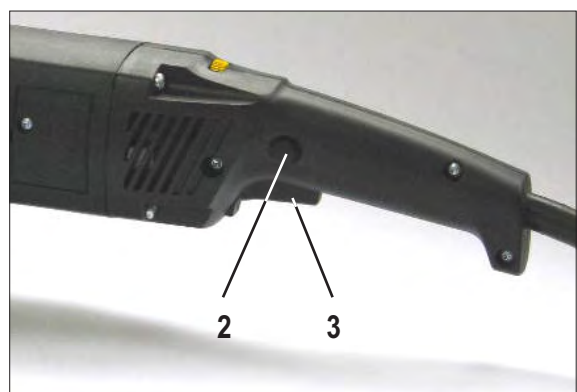
**Risk of injury! To switch on the tool, hold it in both hands and pick up the sanding plate off the floor or surface.**

#### **Brief operation without lock:**

First press the switch lock (2), then press and hold the switch (3). Release the switch lock (2). To switch off, release the switch.

#### **Extended operation with lock:**

First press the switch lock (2), then press and hold the switch (3). To lock, hold the switch lock (2) and release the switch (3). Release the switch lock (2). To switch off, briefly press then release the switch (3).





## 7.2 Adjusting the cover

The cover and brush (1) can be adjusted to suit the way of working and your requirements, thus always ensuring that the suction is working most effectively.

1. Unlock the cover with the locking function (2) and rotate 90° to the open position.
2. Rotate the cover (1) to the desired position.
3. Use the locking function to lock the cover (1) in place.



## 7.3 Usage information

While operating, always hold the tool against the ground with two hands. For holding position, see figure.

Always move the tool parallel to the floor, so that the sanding plate is in full contact. Otherwise the suction may not work optimally.

When sanding on a level surface, do not place too much pressure on the sanding plate.



This can have a negative impact on the sanding result and on the wear of the plate.

**Never sand for too long in one position. Risk of burn in! Keep the tool constantly moving!**

## 8. Maintenance and care

The GECKO FLEX is largely maintenance-free. The lubrication of the roller bearings and of the gears is sufficient for the lifetime of the tool.

We recommend regularly blowing out the air inlets and outlets with compressed air while the tool is switched off. Otherwise these openings can become clogged, blocking the tool.



### Caution!

**Poor maintenance can cause the motor to overload more rapidly, and lead to increased vibration and noise emissions.**

### 8.1 Replacing the sanding disc



### Caution! Risk of injury!

**Before replacing the sanding disc, pull out the mains plug.**

**Only operate the spindle lock when the motor has come to a stop.**

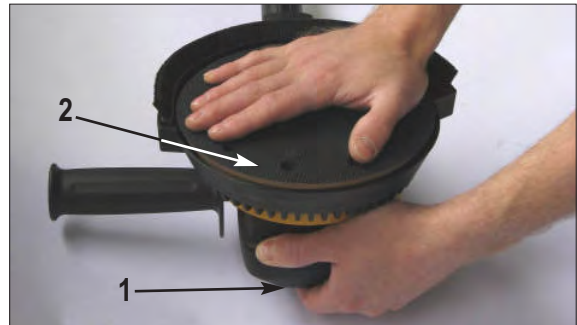


Press the spindle lock (1).

The sanding plate (2) can usually be removed by hand. If it is tight, release it using the face spanner provided.

Replace the sanding disc (2) for a new one.

Press the spindle lock (1) and screw in the sanding disc (2) in a clockwise direction.



**Tip**

**Tip: Tighten the sanding plate by hand so that it is easier to remove later on.**

## 8.2

### Replacing the abrasive



#### Caution!

Replace the abrasive in good time. A dull abrasive can lead to premature wear of the grinding disc and overload the machine.



#### Caution! Risk of injury!

Only replace the sandpaper when the motor has come to a stop and the mains plug has been pulled out.



#### Caution! Hot surface!

After extended use, the sandpaper will be very hot.

1. Pull the worn sandpaper off the velcro.
2. Attach new sandpaper. Pay attention to the hole pattern.

#### Sanding plate without velcro

1. Undo the clamping disc with a Torx spanner.
2. Replace the sandpaper and retighten the clamping disc.

## 8.3

### Replacing the brush

1. Break through the hole (3) with a screwdriver and remove the brush.
2. Insert a brush in the slot.





## 9. Disposal



**Power tools do not belong with household waste. Please note the respective national legislation and separate recycling into packaging, accessories and tool.**

## 10. Warranty

The warranty period for new PALLMANN machines is one year from delivery to customer, unless valid legal regulations call for a different warranty period.

When asserting warranty claims, the invoice and/or proof of purchase shall be submitted.

All repairs covered by warranty shall be carried out by a PALLMANN authorised service shop. Repairs carried out by the customer and/or in an improper manner will void any warranty claims. Improper operation and/or use will also void warranty.

### **Replacement of parts, accessories or other modifications to PALLMANN machines**

PALLMANN machines excel with a high degree of safety and reliability. To ensure high performance, observe the following rules when modifying the factory setup of your PALLMANN machine at the time of delivery. These rules apply for the replacement of parts, installation of accessories as well as other technical modifications.

- Any work on your PALLMANN machine shall be carried out **exclusively by a specialist workshop** with suitably trained and experienced staff and the required equipment. We strongly recommend authorised PALLMANN service shops.
- Before** replacing parts, installing accessories or modifying the technical layout of the machine, we recommend to consult an authorised PALLMANN service shop or us, the manufacturer.
- We strongly recommend to only use safety-checked original PALLMANN spare parts and original PALLMANN accessories which we, the manufacturer, approved.

These spare parts and accessories are available from your authorised PALLMANN service shop where they will be pleased to carry out the respective work. Original PALLMANN spare parts and accessories were tested for their safety and suitability especially for PALLMANN machines.

**We cannot sufficiently evaluate the safety and suitability of spare parts and accessories by other manufacturers and, therefore, do not accept any liability.**

- To maintain operating reliability and avoid damage, observe our **technical guidelines** when carrying out any technical modification of the machine. Please contact us if you have any question about your PALLMANN machine.

**PALLMANN cannot assume any liability for damages caused as a result of improper work and/or violation of the above terms and conditions.**







# PALLMANN®

## 11. EC Declaration of Conformity

### The manufacturer:

Hermann Frank GmbH & Co. KG, Planckstr. 9, D-71665 Vaihingen/Enz, Germany

### manifests, that the following product:

Designation: Parquet sanding machine  
Type: **Gecko Flex**  
Part No.: 060037,061691,061693,061694,061695, 068283, 071782  
Serial No: see type plate

### has been developed, designed and produced in series according to the EU-directives:

Machinery Directive:	<b>2006/42/EC</b>	17.05.2006
Electromagnetic Compatibility Directive:	<b>2004/108/EC</b>	15.12.2004
Low Voltage Directive:	<b>2006/95/EC</b>	12.12.2006

### Following harmonised standards are being used:

**DIN EN 626-1:** Safety of machinery - Reduction of risks to health from hazardous substances emitted by machinery –  
Part 1: Principles and specifications for machinery manufacturers

**DIN EN 1037:** Safety of machinery - Prevention of unexpected start-up

**EN ISO 12100:** Safety of machinery -  
General principles for design - Risk assessment and risk reduction

**DIN EN 60745-1:** Hand-held motor-operated electric tools – Safety -  
Part 1: General requirements

**DIN EN 60745-2-3:** Hand-held motor-operated electric tools - Safety - Part 2-3: Particular requirements for grinders, polishers and disk-type sanders

**DIN EN 55014-1:** Electromagnetic compatibility - Requirements for household appliances, electrical tools and similar apparatus - Part 1: Emission

**DIN EN 55014-2:** Electromagnetic compatibility - Requirements for household appliances, electrical tools and similar apparatus - Part 2: Immunity - Product family standard

**DIN EN 60204-1:** Safety of machinery -  
Electrical equipment of machines – Part 1: General requirements

Authorised to certificate this declaration and to assemble the technical documentation:

Dieter Hammel Dipl.-Ing. (FH)  
Hermann Frank GmbH & Co. KG  
Planckstr. 9  
D-71665 Vaihingen/Enz, 18.7.2012